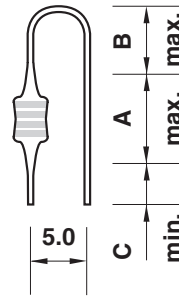


**TFC standard tape and reel dimensions and types F and U standard preforms for fixed axial inductors**

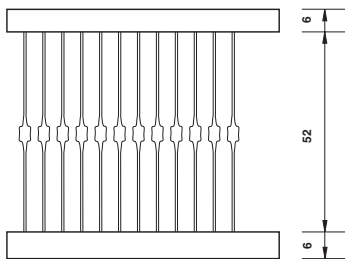
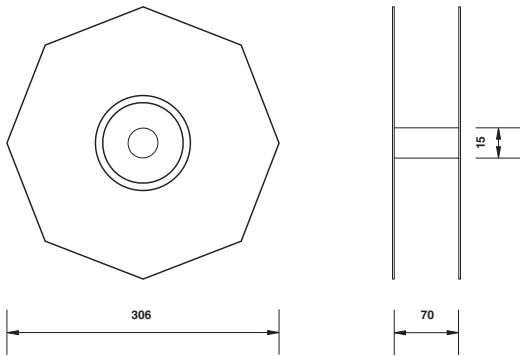
The types EC22, EC24, EC36 and EC46 axial inductors may be supplied bulk packed, tape and reeled or preformed to customer order. Tape and reel dimensions and basic preforms are detailed with type 'U' preform requiring the pitch to be customer specified. Tape and reel 'ammo' packs may also be supplied as necessary.

**Standard preform dimensions(mm)  
Type F**



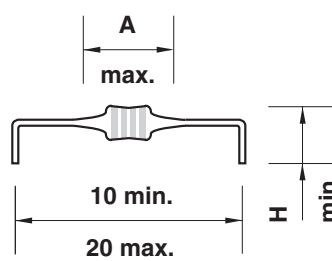
	A	B	C
EC24	8.0	6.0	3.6
EC36	10.0	8.0	4.0

**Tape and reel dimensions(mm)**



Component offset 1.0mm max. lateral and horizontal  
Component spacing 5.0mm ±0.5mm  
5000 pieces per reel  
Leader tape 300mm min.

**Type U**



	A	H
EC24	8.0	3.6
EC36	10.0	3.6