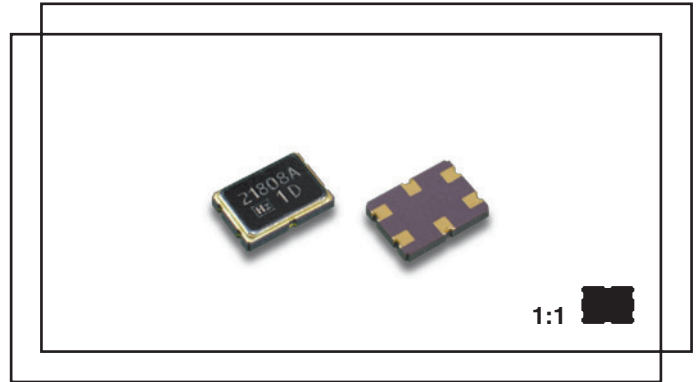


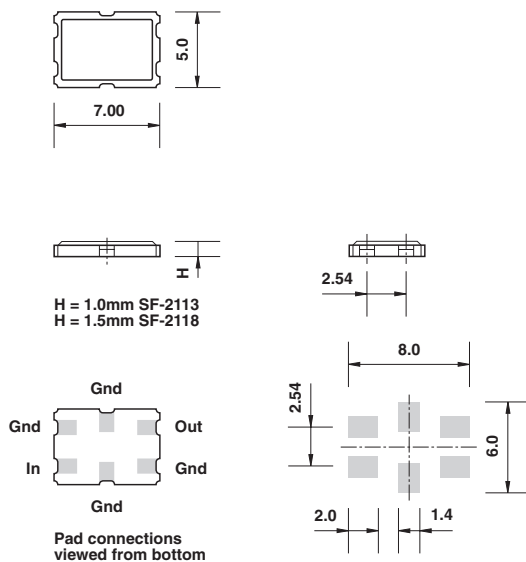
Type SF-2113 and SF-2118 low profile smd filter

- # 16.0mm tape and reel
- # ceramic smd package
- # 21.40MHz and 45.0MHz nominal

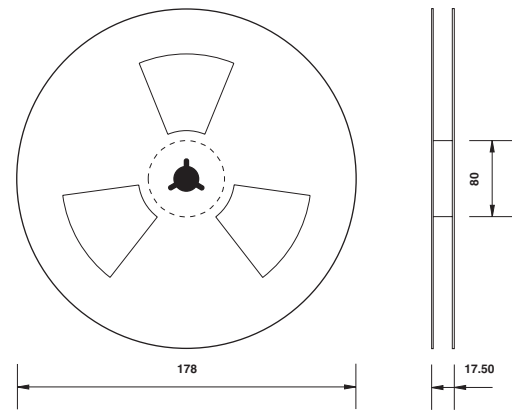


Model	Nominal Frequency	Passband (dB) ±(kHz)	Stopband (dB) ±(kHz)	Ripple (dB)	Loss (dB)	Attenuation (f _o ~ 910)kHz	Terminating Impedance (Ω//pF)	No. of Poles	Model Type
21408A	21.40MHz	3 3.75	15 12.5	1.0	2.0	70	850//6.0	2	SF-2113
21808A	21.80MHz	3 3.75	15 12.5	1.0	2.0	70	850//6.0	2	SF-2113
21415A	21.40MHz	3 7.50	18 28.0	1.0	2.0	70	1500//2.0	2	SF-2113
21715A	21.70MHz	3 7.50	18 28.0	1.0	2.0	70	1500//2.0	2	SF-2113
22011B	22.050MHz	3 5.50	30 20.0	1.0	3.0	80	1600//2.0	4	SF-2113 x 2
45015A	45.00MHz	3 7.50	15 25.0	1.0	2.0	70	560//6.0	2	SF-2118
45030A	45.00MHz	3 15.0	15 60.0	1.0	2.0	70	1200//1.8	2	SF-2118
44211B	44.250MHz	3 5.5	30 20.0	1.0	3.0	80	430//4.0	4	SF-2118 x 2

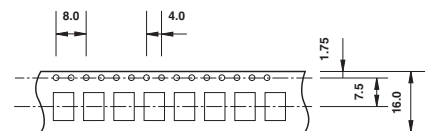
Dimensions(mm)



Tape and reel dimensions(mm)



Centre hole diameter 13.0mm, slot width 2mm spaced at 120°
Reel quantity 1000 pieces, leader tape 400mm minimum
Trailer tape: 10 empty compartments minimum



Tape transport hole diameter 1.5mm, 4.0mm pitch
Compartment size 7.4mm x 5.4mm,
depth 1.4mm type SF-2113, 2.0mm type SF-2118
Component spacing on 8.0mm pitch