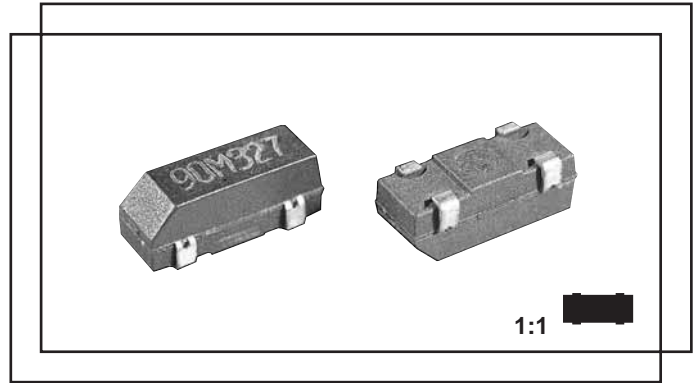


CM200S smd watch crystal 32.768kHz

- # low profile plastic package
- # 16mm tape and reel
- # flexure mode
- # RoHS Compliant



Electrical specification

Case style

Frequency

Adjustment tolerance

Temperature coefficient

Operating temperature

Storage temperature

Load

ESR

Shunt capacitance C_0

Drive level

Q factor

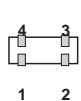
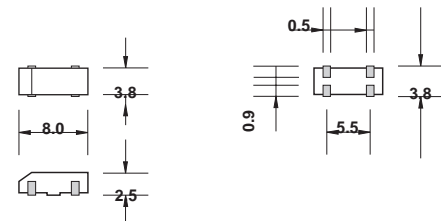
Ageing

PART NUMBER

CM200S, height 2.5mm
 32.768kHz
 ± 20 ppm at +25°C as standard
 -0.042 ppm/°C²
 (-40 +85)°C
 (-55 +125)°C
 12.5pF standard
 50kΩ max.
 1.35pF typical
 1μW max.
 70,000 typical
 ± 3 ppm first year max.

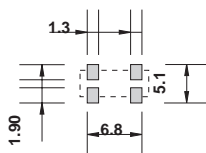
X 32.768K CM200S

CM200S dimensions(mm)

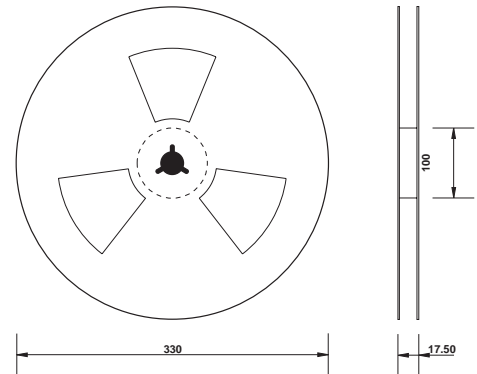


Pin connections
 # 1 crystal
 # 2 N/C
 # 3 N/C
 # 4 crystal

Suggested land pattern

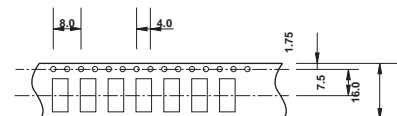


Tape and reel dimensions(mm)



Centre hole diameter 13.0mm, slot width 2mm spaced at 120°
 Reel quantity 3000 pieces, leader tape 400mm minimum

Trailer tape: 10 empty compartments minimum



Tape transport hole diameter 1.5mm
 Compartment size 4.05mm x 8.3mm, depth 2.7mm
 Component spacing is 8.0mm