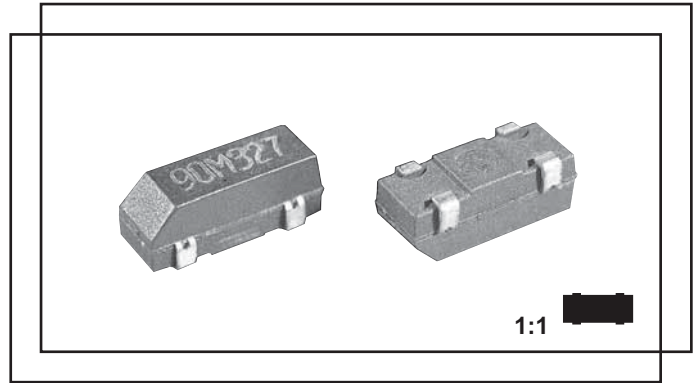


CM200S smd watch crystal 32.768kHz

- # low profile plastic package
- # 16mm tape and reel
- # flexure mode
- # RoHS Compliant



Electrical specification

Case style

Frequency

Adjustment tolerance

Temperature coefficient

Operating temperature

Storage temperature

Load

ESR

Shunt capacitance C_0

Drive level

Q factor

Ageing

PART NUMBER

CM200S, height 2.5mm

32.768kHz

± 20 ppm at +25°C as standard

-0.042ppm/°C²

(-40 +85)°C

(-55 +125)°C

12.5pF standard

50kΩ max.

1.35pF typical

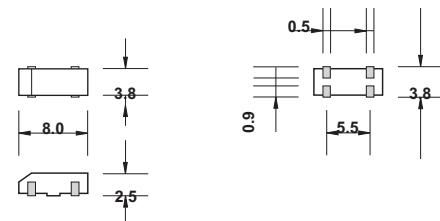
1μW max.

70,000 typical

± 3 ppm first year max.

X 32.768K CM200S

CM200S dimensions(mm)



Pin connections

- # 1 crystal
- # 2 N/C
- # 3 N/C
- # 4 crystal

Suggested land pattern

