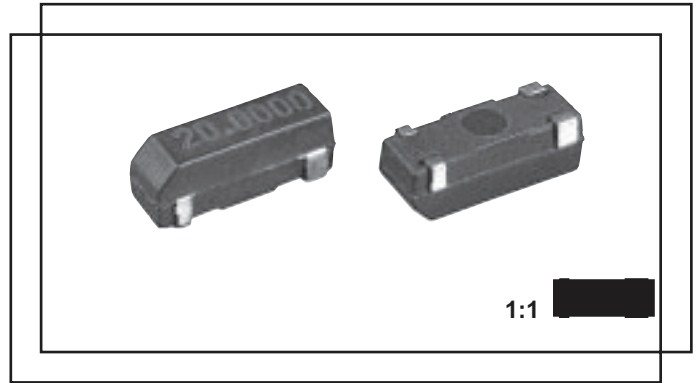


MG3A smd crystal (3.579 ~ 90)MHz

- # volume applications
- # automotive temp. range available
- # AT / BT cut quartz
- # cold weld encapsulated
- # RoHS compliant



Electrical specification

Case style	MG3A plastic package, (13.1 x 5.0)mm, height 5.0mm
Frequency	(3.579 ~ 40.000)MHz Fundamental, (30.000 ~ 90.000)MHz AT3
Adjustment tolerance	from ± 20 ppm at +25°C
Temperature tolerance	from ± 50 ppm, frequency and temperature range dependant
Operating temperature range	(0 ~ +50)°C ~ (-40 ~ +125)°C
Storage temperature	(-40 ~ +85)°C standard, (-40 ~ +125)°C on request
Drive level	100 μ W max.
Shunt capacitance C₀	5.0pF max.
Ageing	± 5 ppm first year max.
Insulation resistance	500Meg. ohm min. at +100Vd.c.

Ordering information

The MG3A smd crystals may be specified within their available frequency range, together with load capacitance, adjustment tolerance, temperature tolerance and temperature range with each parameter coded as follows...

Example MG3A crystal, 8.00MHz, load 20pF, ± 30 ppm at 25°C, ± 50 ppm(-40+85)°C

TFC PART NUMBER MG 8.00M H E G L

'MG' crystal series: MG3A
 '8.00M' frequency: 8.00M = 8.00MHz
 'H' load capacitance: H = 20pF
 'E' adjustment tolerance at +25°C: G = ± 30 ppm
 'G' temperature tolerance: G = ± 50 ppm
 'L' temperature range: L = (-40 +85)°C

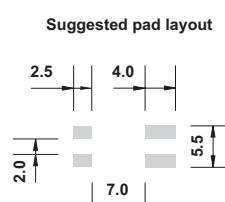
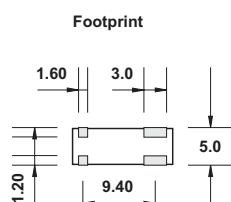
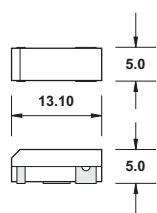
Load capacitance C: 10pF, D: 12pF, F: 16pF, G: 18pF, H: 20pF, S: Series

Adjustment tolerance C: ± 20 ppm, E: ± 30 ppm, G: ± 50 ppm

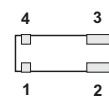
Temperature tolerance G: ± 50 ppm, H: ± 100 ppm

Temperature range B:(0+50)°C, I:(-10+60)°C, C:(-20+70)°C, L:(-40+85)°C, L105: (-40+105)°C, L125: (-40+125)°C

MG3A dimensions(mm)



Connections are suitable for vapour phase or reflow soldering, +260°C for 10 seconds max.



Pin connections
 # 1 Crystal
 # 2 Internal case
 # 3 Internal case
 # 4 Crystal