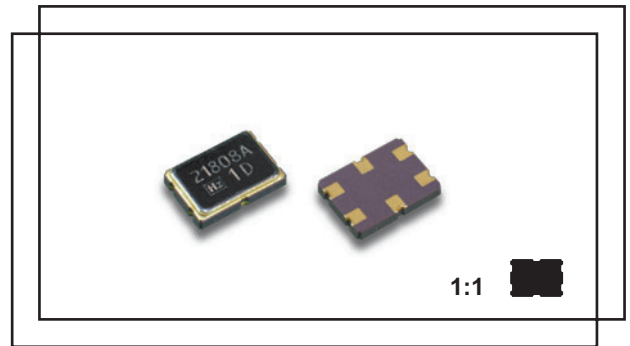


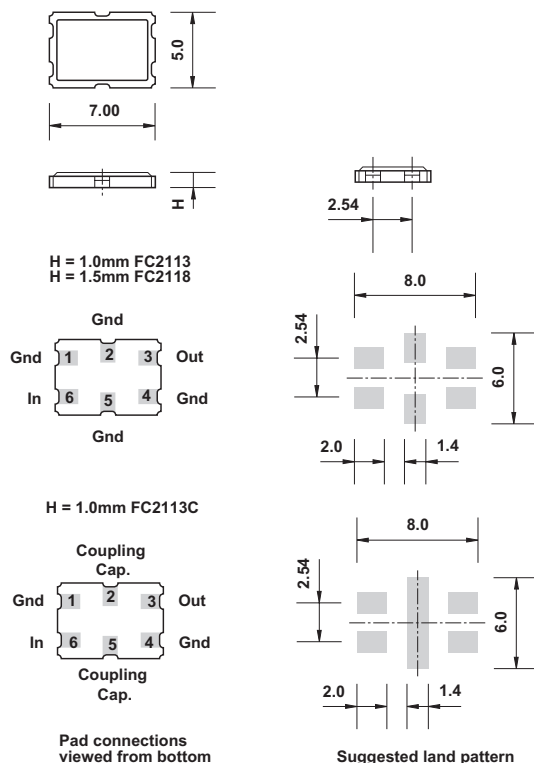
## Type FC low profile smd filter

- # 16.0mm tape and reel
- # ceramic smd package
- # 21.40MHz and 90.0MHz nominal
- # RoHS compliant

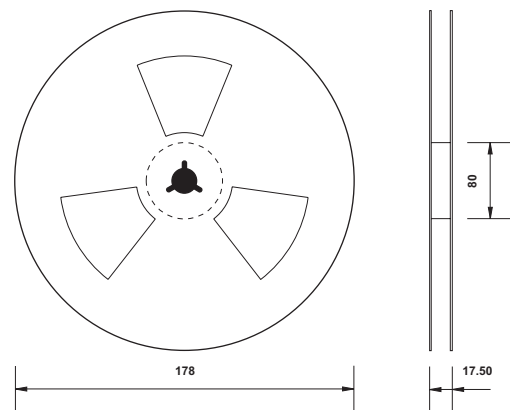


Model	Nominal Frequency	Passband (dB $\pm$ (kHz))	Stopband (dB) $\pm$ (kHz)	Ripple (dB)	loss (dB)	Attenuation (f $\sim$ 910)kHz (dB)	Terminating Impedance ( $\Omega$ /pF)	No. of Poles	Model Type
21408A1	21.40MHz	3 3.75	15 12.5	1.0	2.0	70	850//6.0	2	FC2113
21808A1	21.80MHz	3 3.75	15 12.5	1.0	2.0	70	850//6.0	2	FC2113
21415A1	21.40MHz	3 7.50	18 28.0	1.0	2.0	70	1500//2.0	2	FC2113
21715A1	21.70MHz	3 7.50	18 28.0	1.0	2.0	70	1500//2.0	2	FC2113
22011B1	22.05MHz	3 5.50	30 30.0	1.0	3.0	80	1600//2.0	4	FC2113x2
29020A1	29.00MHz	3 10.0	10 25.0	1.0	2.0	70	1800//1.5	2	FC2113
44211B1	44.25MHz	3 5.50	30 20.0	1.0	3.0	80	430//4.0	4	FC2118x2
45015A1	45.00MHz	3 7.50	15 25.0	1.0	2.0	70	560//6.0	2	FC2118
45030A1	45.00MHz	3 15.0	15 60.0	1.0	2.0	70	1200//1.8	2	FC2118
70020BU	70.05MHz	3 10.0	20 25.0	1.0	4.5	70	2500//1.0	4	FC2113Cx1
73313BU	73.35MHz	3 6.50	30 20.0	1.0	4.0	65	1700//0.6	4	FC2113Cx1
90015BU	90.00MHz	3 7.50	30 25.0	1.0	3.0	80(f $\sim$ 1000 $\sim$ 200)kHz 60(f $\sim$ +500 $\sim$ +1000)kHz	2500 $\Omega$ ( $\pm$ 5%)/-0.4pF $\pm$ (0.2pF)	4	FC2113Cx1

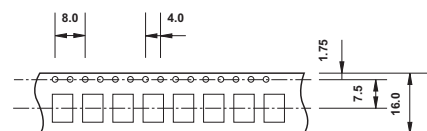
### Dimensions(mm)



### Tape and reel dimensions(mm)



Centre hole diameter 13.0mm, slot width 2mm spaced at 120°  
Reel quantity 1000 pieces, leader tape 400mm minimum  
Trailer tape: 10 empty compartments minimum



Tape transport hole diameter 1.5mm, 4.0mm pitch  
Compartment size 7.4mm x 5.4mm,  
depth 1.4mm type SF-2113, 2.0mm type SF-2118  
Component spacing on 8.0mm pitch