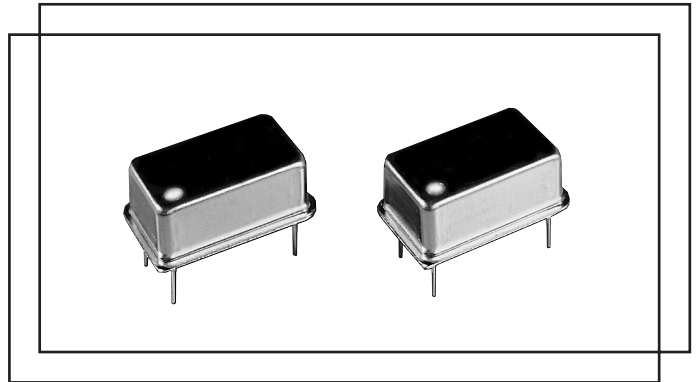


Type ECO9000 clock 100K ECL, (10 ~ 320)MHz

- # 4 pin(14 pin DIL layout)
- # standard and custom frequencies
- # -5.2Vd.c., +5.0Vd.c. supply
- # single or complimentary output



Electrical specification

Case style	4 pin(14 pin DIL layout): (20.5 x 12.90)mm, height 8.5mm
Frequency range	(10.0 ~ 320)MHz
Stability *	±100ppm(0 +85)°C
Supply voltage V_{cc}	-5.2Vd.c. or +5.0Vd.c., referenced to ground
Supply current max.	40mA max.
Rise and fall time max. **	1.2ns max.
Operating temperature	(0 +85)°C
Storage temperature	(-55 +125)°C
Output	100K ECL, single or complimentary
Symmetry	(45 ~ 55)%, (40 ~ 60)%
Crossover	500ps max.
Jitter	10ps max., <80MHz, 500ps max. >80MHz

* inclusive of calibration tolerance at +25°C, temperature tolerance, supply voltage variation, load variation, first year ageing, shock and vibration.

** measured, with an output load of 50Ω and -2.0Vd.c., between (20 ~ 80)% V_{cc}

Ordering information

TFC PART NUMBER ECO9100 P D 100.0M

'ECO9100' type number
 'P' supply voltage: P = +5Vd.c., N = -5.2Vd.c.
 'D' output: D = dual output, S = single output
 '100.0M' frequency(MHz)

Pin connections

	pin #1	pin #7	pin #8	pin #14
ECO9100PS	N/C	case/gnd	output	+5Vd.c.
ECO9100PD	output 2	case/ground	output 1	+5Vd.c.
ECO9100NS	N/C	-5.2Vd.c.	output	case/ground
ECO9100ND	output 2	-5.2Vd.c.	output 1	case/ground

Dimensions(mm)

