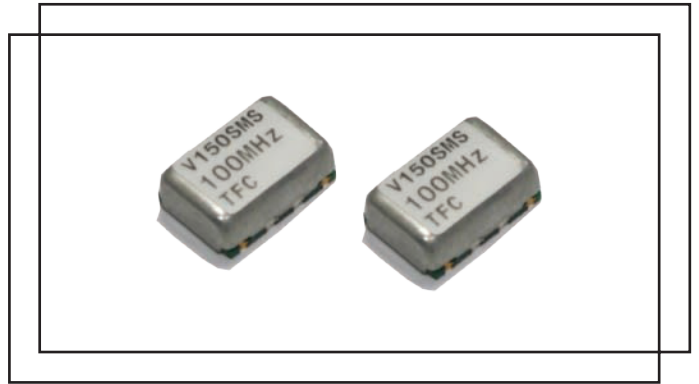


Series V150SMS 10MHz ~ 3.1GHz

- # wide band
- # smd, small profile
- # suitable for reflow soldering
- # custom designs
- # RoHS compliant



Standard options:

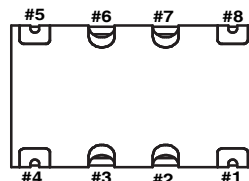
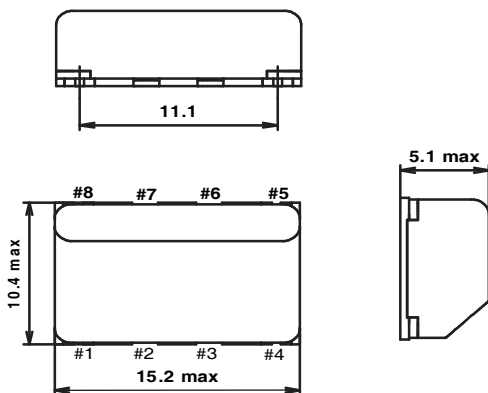
frequency range:	_____ (10.00 ~ 3100)MHz _____		
carrier noise (25kHz offset)	-110dBc/Hz		
temperature range	(-20 +70)°C		
output	-5 ~ +5dBm		
supply voltage codes:	_____ (V1) _____	_____ (V2) _____	_____ (V3) _____
supply voltage	+3.0Vd.c.	+5.0Vd.c.	+12.0Vd.c.

Ordering code:

standard specification: V150SMS V2 - 155.52M
V150SMS = series generic code
V2 supply voltage code: V2 = +5Vd.c. supply
155.52M output frequency: 155.52M = 155.52MHz

custom specification: part number issued with custom specification and drawing

Dimensions(mm):



Pin connections:

- #1 control voltage V
- #2 ~ 3 ground
- #4 +V_{cc}
- #5 RF output
- #6 ~ 7 ground
- #8 RX:N.C. (TX: audio modulation)

