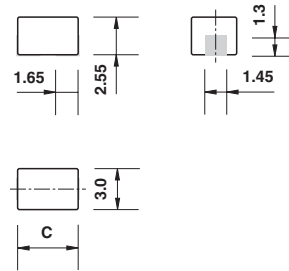


Type SMB Ferrite beads

- # Ferrite core
- # High impedance at high frequency
- # High S.R.F.
- # Miniature case
- # Tape and reel

Available in two sizes the type SMB ferrite beads provide effective low cost suppression of high frequency EMI and RFI through their minimum resistance at d.c. and an abrupt increase in impedance against frequency.

Dimensions(mm) shown x2



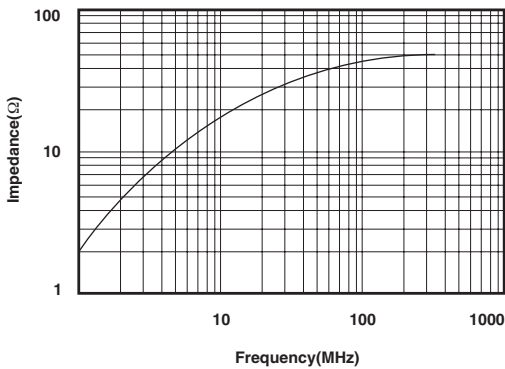
Pad dimensions: 1.45mm x 1.65mm
Suitable for reflow or wave soldering
Body material: Ferrite

Specification

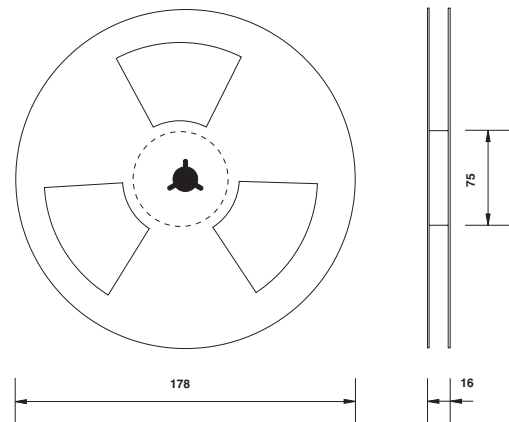
Material H5B	Ni-Zn ferite
Frequency range	(1 ~ 300)MHz
Operating temperature	(-20 +80)°C
Current rating	0.5A max.
Packaging	Bulk packed or 12mm tape and reel

	dim.(C)	r.d.c.(Ω) Impedance @	
			25MHz(Ω)	100MHz(Ω)
SMB 302540	4.0	0.0006	25	38
SMB 302585	8.5	0.0009	50	76

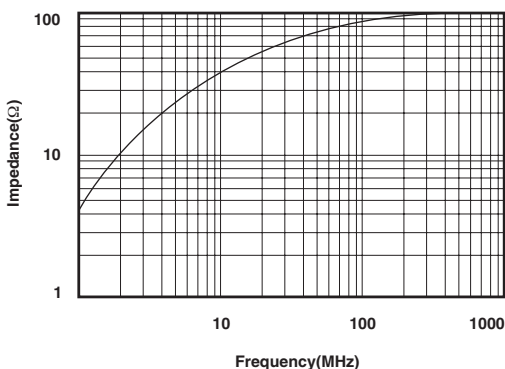
Impedance against frequency SMB-302540



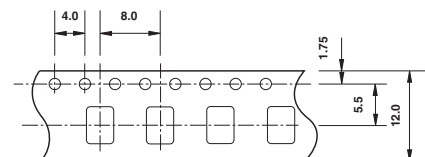
SMB tape and reel dimensions(mm)



SMB-302585



Centre hole diameter 15.0mm, slot width 2mm spaced at 120°
Reel quantity 500 pieces, leader tape 400mm minimum
Trailer tape: 10 empty compartments minimum



Tape transport hole diameter 1.5mm