

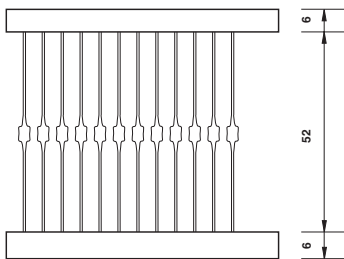
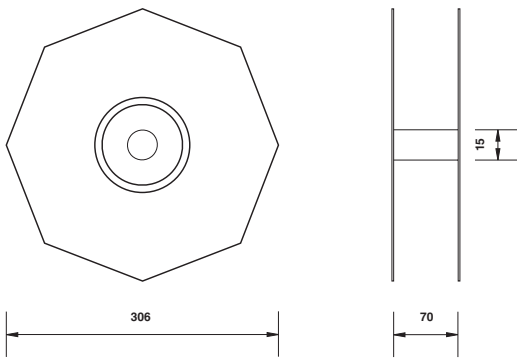
## Type RH Axial ferrite bead

- # Choice of ferrite materials
- # Custom design available
- # Tape and reeled
- # Small size
- # Low cost

The type RH axial ferrite beads are supplied as a single turn inductor with a choice of ferrite core materials and dimensions and provide effective low cost suppression of EMI and RFI through their minimum resistance to d.c. and an abrupt increase in impedance against frequency.

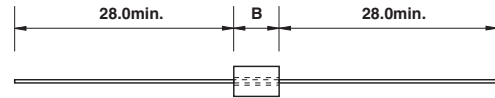
Tape and reeled as standard with 5000 pieces per reel.

### Tape and reel dimensions(mm)



Component offset 1.0mm max. lateral and horizontal  
Component spacing 5.0mm ±0.5mm  
5000 pieces per reel  
Leader tape 300mm min.

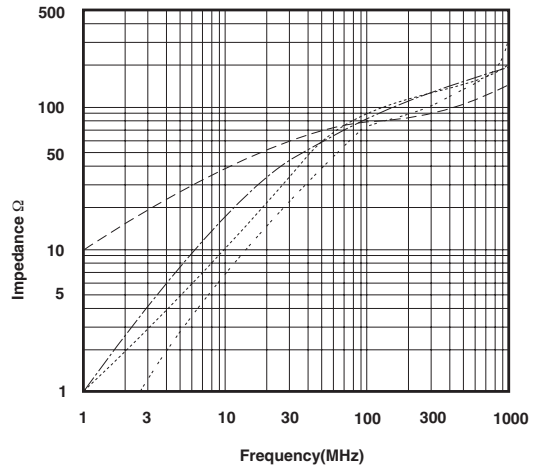
### Dimensions(mm)



#### Dimensions(mm)

Body length: B: 3, 4.7, 6, 9  
Body diameter: 3.5  
Core hole diameter: 0.8, 1.0, 1.2  
Lead diam: 0.65mm max.  
Lead length: 28mm min.  
Lead material: annealed copper, solder plated

### Nominal impedance/frequency characteristics



Core types:  
T8B RH 3.5 x 4.7 x 0.8  
T8C RH 3.5 x 4.7 x 0.8  
T5B RH 3.5 x 4.7 x 0.8  
TM6 RH 3.5 x 4.7 x 0.8

Wire size: AWG22, 0.65mm tinned copper  
R.F. impedance analyser: HP4191A

### Ordering information

Order the TFC type RH ferrite beads using the following part number:

TFC Part No ----- RH 3.5 x 4.7 x 0.8 x T8B

RH ----- Type RH  
3.5 ----- Core outside diameter  
4.7 ----- Core length  
0.8 ----- Core hole diameter  
T8B ----- Core material

### Specification

Frequency range (1 ~ 500)MHz  
Operating temperature (-20 +80)°C  
Current rating 3.0A max.  
Packaging Bulk packed or tape and reel