

Type SMTDRRI - B (10 ~ 820) μ H

- # Ferrite shielded
- # High power
- # High saturation
- # Low profile smd
- # Standard EIA tape and reel
- # reflow or wave soldering



TFC PART NUMBER	Inductance (μ H)	Test frequency	d.c. resistance (Ω) max.	Rated d.c. current (A)
SMTDRRI - 63B - 100M	10	2.52MHz	0.14	1.00
SMTDRRI - 63B - 120M	12	2.52MHz	0.16	0.94
SMTDRRI - 63B - 150M	15	2.52MHz	0.18	0.86
SMTDRRI - 63B - 180M	18	2.52MHz	0.25	0.78
SMTDRRI - 63B - 220M	22	2.52MHz	0.32	0.76
SMTDRRI - 63B - 270M	27	2.52MHz	0.36	0.64
SMTDRRI - 63B - 330L	33	2.52MHz	0.41	0.61
SMTDRRI - 63B - 390L	39	2.52MHz	0.47	0.53
SMTDRRI - 63B - 470L	47	2.52MHz	0.51	0.50
SMTDRRI - 63B - 560L	56	2.52MHz	0.72	0.46
SMTDRRI - 63B - 680L	68	2.52MHz	0.82	0.42

TFC PART NUMBER	Inductance (μ H)	Test frequency	d.c. resistance (Ω) max.	Rated d.c. current (A)
SMTDRRI - 74B - 100M	10	2.52MHz	0.07	1.65
SMTDRRI - 74B - 120M	12	2.52MHz	0.07	1.57
SMTDRRI - 74B - 150M	15	2.52MHz	0.08	1.39
SMTDRRI - 74B - 180M	18	2.52MHz	0.10	1.29
SMTDRRI - 74B - 220M	22	2.52MHz	0.13	1.12
SMTDRRI - 74B - 270M	27	2.52MHz	0.16	1.06
SMTDRRI - 74B - 330L	33	2.52MHz	0.18	0.97
SMTDRRI - 74B - 390L	39	2.52MHz	0.18	0.91
SMTDRRI - 74B - 470L	47	2.52MHz	0.27	0.80
SMTDRRI - 74B - 560L	56	2.52MHz	0.29	0.76
SMTDRRI - 74B - 680L	68	2.52MHz	0.33	0.68
SMTDRRI - 74B - 820L	82	2.52MHz	0.43	0.62
SMTDRRI - 74B - 101K	100	1kHz	0.49	0.55
SMTDRRI - 74B - 121K	120	1kHz	0.68	0.49
SMTDRRI - 74B - 151K	150	1kHz	0.94	0.44
SMTDRRI - 74B - 181K	180	1kHz	1.00	0.40
SMTDRRI - 74B - 221K	220	1kHz	1.18	0.36
SMTDRRI - 74B - 271K	270	1kHz	1.30	0.33

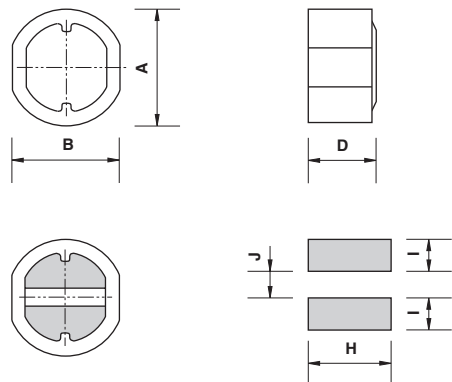
Type SMTDRRI - B

TFC PART NUMBER	Inductance (μ H)	Test frequency	d.c. resistance (Ω) max.	Rated d.c. current (A)
SMTDRRI - 105B - 100M	10	2.52MHz	0.06	2.06
SMTDRRI - 105B - 120M	12	2.52MHz	0.07	1.94
SMTDRRI - 105B - 150M	15	2.52MHz	0.07	1.72
SMTDRRI - 105B - 180M	18	2.52MHz	0.08	1.58
SMTDRRI - 105B - 220M	22	2.52MHz	0.08	1.42
SMTDRRI - 105B - 270M	27	2.52MHz	0.10	1.32
SMTDRRI - 105B - 330L	33	2.52MHz	0.11	1.16
SMTDRRI - 105B - 390L	39	2.52MHz	0.12	1.10
SMTDRRI - 105B - 470L	47	2.52MHz	0.14	1.00
SMTDRRI - 105B - 560L	56	2.52MHz	0.19	0.93
SMTDRRI - 105B - 680L	68	2.52MHz	0.21	0.85
SMTDRRI - 105B - 820L	82	2.52MHz	0.28	0.79
SMTDRRI - 105B - 101K	100	1kHz	0.34	0.72
SMTDRRI - 105B - 121K	120	1kHz	0.37	0.63
SMTDRRI - 105B - 151K	150	1kHz	0.51	0.55
SMTDRRI - 105B - 181K	180	1kHz	0.57	0.50
SMTDRRI - 105B - 221K	220	1kHz	0.78	0.47
SMTDRRI - 105B - 271K	270	1kHz	0.87	0.41
SMTDRRI - 105B - 331K	330	1kHz	1.20	0.37
SMTDRRI - 105B - 391K	390	1kHz	1.34	0.35
SMTDRRI - 105B - 471K	470	1kHz	1.50	0.33

TFC PART NUMBER	Inductance (μ H)	Test frequency	d.c. resistance (Ω) max.	Rated d.c. current (A)
SMTDRRI - 125B - 100M	10	2.52MHz	0.05	2.65
SMTDRRI - 125B - 120M	12	2.52MHz	0.05	2.50
SMTDRRI - 125B - 150M	15	2.52MHz	0.06	2.45
SMTDRRI - 125B - 180M	18	2.52MHz	0.06	2.40
SMTDRRI - 125B - 220M	22	2.52MHz	0.07	2.20
SMTDRRI - 125B - 270M	27	2.52MHz	0.08	2.00
SMTDRRI - 125B - 330L	33	2.52MHz	0.10	1.80
SMTDRRI - 125B - 390L	39	2.52MHz	0.11	1.65
SMTDRRI - 125B - 470L	47	2.52MHz	0.12	1.50
SMTDRRI - 125B - 560L	56	2.52MHz	0.15	1.38
SMTDRRI - 125B - 680L	68	2.52MHz	0.17	1.26
SMTDRRI - 125B - 820L	82	2.52MHz	0.20	1.14
SMTDRRI - 125B - 101K	100	1kHz	0.25	1.05
SMTDRRI - 125B - 121K	120	1kHz	0.28	0.95
SMTDRRI - 125B - 151K	150	1kHz	0.40	0.85
SMTDRRI - 125B - 181K	180	1kHz	0.48	0.77
SMTDRRI - 125B - 221K	220	1kHz	0.52	0.70
SMTDRRI - 125B - 271K	270	1kHz	0.70	0.63
SMTDRRI - 125B - 331K	330	1kHz	0.80	0.57
SMTDRRI - 125B - 391K	390	1kHz	1.08	0.52
SMTDRRI - 125B - 471K	470	1kHz	1.20	0.48
SMTDRRI - 125B - 561K	560	1kHz	1.34	0.44
SMTDRRI - 125B - 681K	680	1kHz	1.78	0.40
SMTDRRI - 125B - 821K	820	1kHz	2.00	0.36

Type SMTDRRI - B

Dimensions



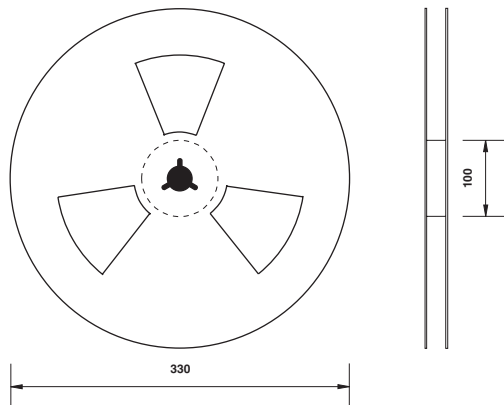
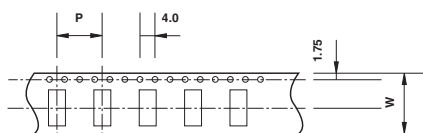
Connections viewed from bottom

 Suggested land pattern
Connections are tinned
Suitable for reflow or wave soldering

Dimension variables(mm)

	DRRI 63B	DRRI 74B	DRRI 105B	DRRI 125B
A	6.2 ±0.3	7.8 ±0.35	10.0 ±0.4	12.6 ±0.5
B	5.6 ±0.3	7.0 ±0.35	9.0 ±0.4	11.6 ±0.5
D	3.2 ±0.3	4.5 ±0.4	5.0 ±0.5	5.4 ±0.5
H	5.5	7.5	9.5	9.5
I	2.25	4.0	5.0	5.0
J	1.7	2.0	2.5	2.5
W	12	16	24	24
P	8	12	12	16
Quantity per reel				
	1500	1000	750	500

Tape and reel dimensions(mm)


 Centre hole diameter 13.0mm, slot width 2.5mm spaced at 120°. Leader tape 400mm minimum
Trailer tape: 10 empty compartments minimum


Tape transport hole diameter 1.5mm

Electrical specification

Case sizes	shielded: DRRI-63B, DRRI-74B, DRRI-105B, DRRI-125B
Inductance range	(10 ~ 820)µH
Current rating	Based on 90% increase in inductance value
Operating temperature	(-20 +80)°C
Terminal strength	2kg, 10 secs. max.
Test equipment	inductance: HP4284A at 1Hz HP4285A at 2.52MHz d.c. resistance: milli ohm meter

Ordering information

PART NUMBER SMT DRRI - 125B - 270M(T)

'SMT DRRI' type: shielded smd inductor
'125B' core size: 63B, 74B, 105B, 125B
'270M' inductance value code
'M' tolerance: M = ±20%, L = ±15%, K = ±10%
'(T)' packing: T = tape and reel. Omit T for bulk packing