

## Type SMTSC (2.5 ~ 538)nH

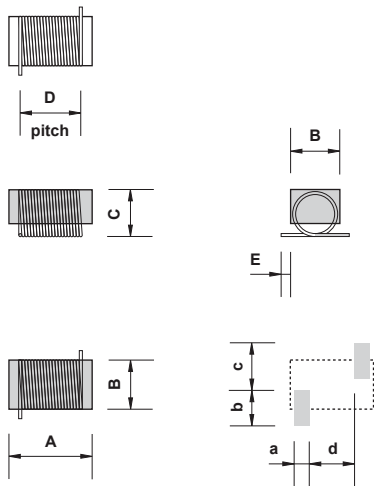
- # Very high Q
- # Standard EIA tape and reel
- # smd profile for auto pick and place
- # (-40 +125)°C
- # Satellite comms equipment
- # Microwave and r.f. designs



TFC Part No.	Turns	Inductance nanoH	Q min.	Test Frequency MHz	S.R.F. min. MHz	d.c.r. milliΩ max.	I d.c. max. Amps
SMTSC0403 - 2N5K	1	2.5	145	150	12500	1.1	4.0
SMTSC0403 - 5N0K	2	5.0	140	150	6500	1.8	4.0
SMTSC0403 - 8N0J	3	8.0	140	150	5000	2.6	4.0
SMTSC0403 - 12N5J	4	12.5	137	150	3300	3.4	4.0
SMTSC0403 - 18N5J	5	18.5	132	150	2500	3.9	4.0
SMTSC0703 - 17N5J	6	17.5	100	150	2200	4.5	4.0
SMTSC0703 - 22NJ	7	22.0	102	150	2100	5.2	4.0
SMTSC0703 - 28NJ	8	28.0	105	150	1800	6.0	4.0
SMTSC0703 - 35N5J	9	35.5	112	150	1500	6.8	4.0
SMTSC0703 - 43NJ	10	43.0	106	150	1200	7.9	4.0
SMTSC0504 - 22NJ	5	22	100	150	3200	4.2	3.0
SMTSC0504 - 27NJ	5	27	100	150	2700	4.0	3.5
SMTSC0504 - 33NJ	6	33	100	150	2500	4.8	3.0
SMTSC0504 - 39NJ	6	39	100	150	2100	4.4	3.0
SMTSC0504 - 47NJ	7	47	100	150	2100	5.6	3.0
SMTSC0504 - 56NJ	7	56	100	150	1500	6.2	3.0
SMTSC0504 - 68NJ	8	68	100	150	1500	8.2	2.5
SMTSC0504 - 82NJ	8	82	100	150	1300	9.4	2.5
SMTSC0504 - R10J	9	100	100	150	1200	12.3	1.7
SMTSC0504 - R12J	10	120	100	150	1100	17.3	1.5
SMTSC1006 - 90NJ	9	90	95	50	1140	15.0	3.5
SMTSC1006 - R111J	10	111	87	50	1020	15.0	3.5
SMTSC1006 - R130J	11	130	87	50	900	20.0	3.0
SMTSC1006 - R169J	12	169	95	50	875	25.0	3.0
SMTSC1006 - R206J	13	206	95	50	800	30.0	3.0
SMTSC1006 - R222J	14	222	92	50	730	35.0	3.0
SMTSC1006 - R246J	15	246	95	50	685	35.0	3.0
SMTSC1006 - R307J	16	307	95	50	660	35.0	3.0
SMTSC1006 - R380J	17	380	95	50	590	50.0	2.5
SMTSC1006 - R422J	18	422	95	50	540	60.0	2.5
SMTSC1006 - R491J	19	491	95	50	535	65.0	2.0
SMTSC1006 - R538J	20	538	87	50	490	90.0	2.0

## Type SMTSC

### Dimensions(mm)



**Suggested land pattern**

Wires are stripped and pre-tinned to cover total pad area.

Suitable for vapour phase or reflow soldering, preheat +150°C for 2 minutes, peak temperature +250°C for 30 seconds max.

### Dimension variables(mm)

**SMTSC0403 SMTSC0703 SMTSC0504 SMTSC1006**

<b>A</b>	3.68 ref	6.86 ref	4.95 max.	10.55 max.
<b>B</b>	3.05 ref	3.05 ref	3.81 max.	6.35 max.
<b>C</b>	3.18 ref	3.18 ref	4.20 max.	5.97 max.
<b>D</b>	2.92 ±0.25	5.84 ±0.25	4.32 ±0.39	7.98 ±0.51
<b>E</b>	0.58 ±0.38	0.58 ±0.38	1.53 ±0.39	1.27 ±0.39

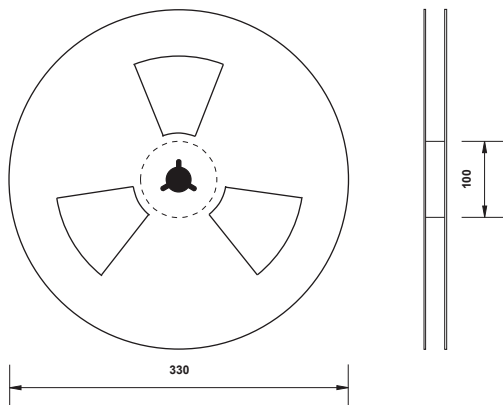
<b>a</b>	1.27	1.27	1.48	2.04
<b>b</b>	3.30	3.30	5.16	4.70
<b>c</b>	2.79	2.79	2.62	2.85
<b>d</b>	1.65	4.70	2.85	5.95

<b>W</b>	12	16	16	24
<b>P</b>	8	8	12	12

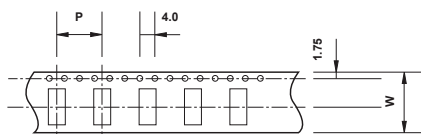
**Quantity per reel**

	2000	2000	1000	750
--	------	------	------	-----

### Tape and reel dimensions(mm)



Centre hole diameter 13.0mm, slot width 2.5mm spaced at 120°. Leader tape 400mm minimum  
Trailer tape: 10 empty compartments minimum



Tape transport hole diameter 1.5mm