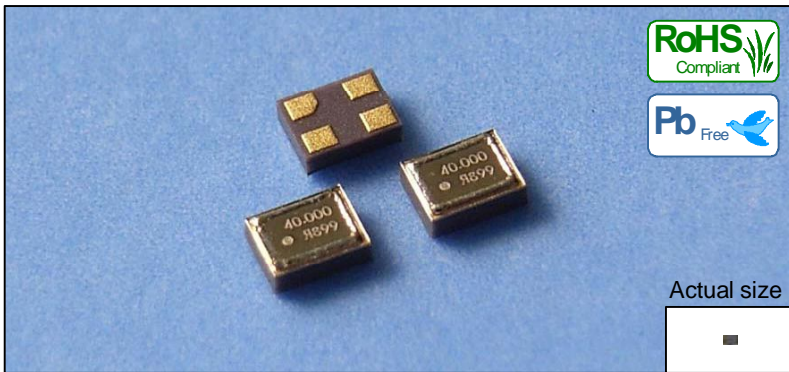


# SURFACE MOUNT CRYSTAL OSCILLATOR FCXO-07



## Specifications

| Item                               | Standard specifications   |                              |                         |                   |
|------------------------------------|---|------------------------------|-------------------------|-------------------|
| Frequency range(MHz)               | 1.0 to 80.0   |                              |                         |                   |
| Frequency tolerance (ppm)(at 25°C) | 10, ±20, ±30, ±50, ±100   |                              |                         |                   |
| V <sub>DD</sub> sensitivity(ppm)   | ±1.0  |                              |                         |                   |
| Storage temperature range(°C)      | -40 to +85  |                              |                         |                   |
| Operating temperature range(°C)    | -10 to +60  | -20 to +70                   | -40 to +85              |                   |
|                                    | Frequency versus temperature characteristics(ppm) (Refer to 25°C) | ±10<br>20<br>±30<br>50       | ±20<br>30<br>±50<br>100 | ±30<br>50<br>±100 |
|                                    | Supply voltage(V)   | 3.3 0.33, 2.5±0.25, 1.8±0.18 |                         |                   |
| Current consumption (mA)           | 1(Typ.)/40MHz@3V<br>(Depends on frequency and supply voltage)     |                              |                         |                   |
| Output level(V)                    | CMOS  |                              |                         |                   |
| Symmetry(%)                        | 50 10, 50 ±5  |                              |                         |                   |

### "Stand-by" CTRL table

| Stand-by | Output                                      |
|----------|---|
| "H"      | Output enabled.                             |
| "L"      | Oscillation stop and High impedance output. |

Bypass capacitor should be connected between V<sub>DD</sub> and GND due to the stabilized operation for the crystal oscillator.

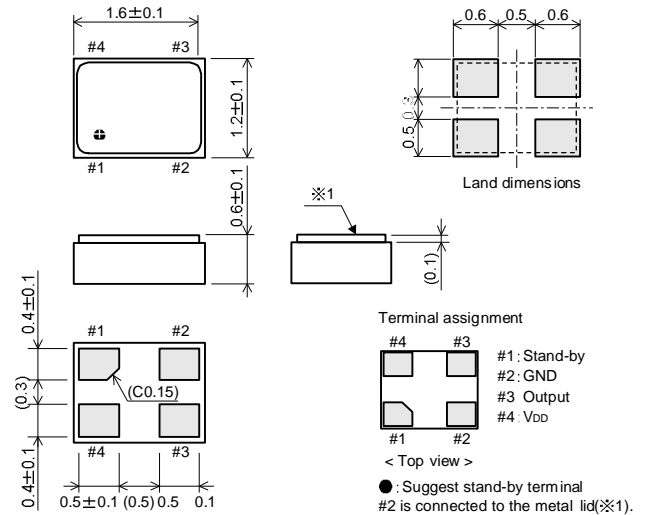
- Please consult us for customized specifications.
- All specifications and markings subjected to change without notice.

## Features

- Compact design (1.6mm×1.2mm×0.7mm Max., Weight : 4.1mg).
- Ceramic package and metal lid assures extreme accuracy and high reliability by electron beam sealing.
- Lead-free soldering is available.
- Applications : Laptop PC, DSC, DVC, W-LAN

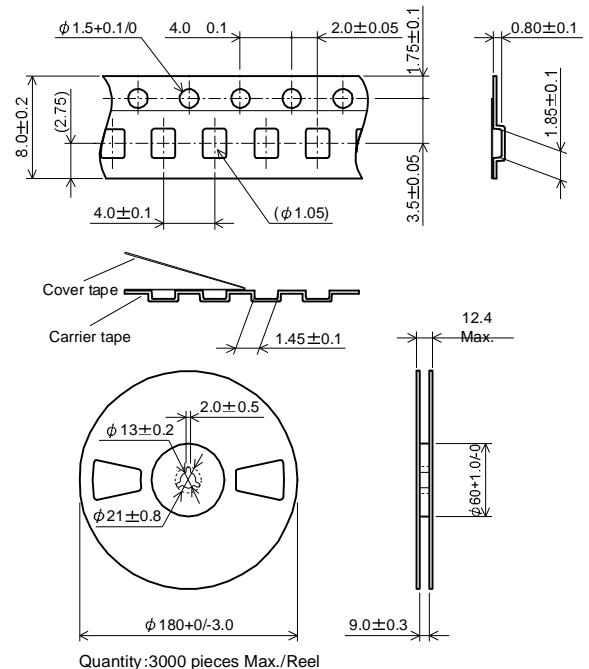
## Dimensions

Unit mm



## Taping

Unit : mm



# RIVER

URL <http://www.river-ele.co.jp>

Head Office 2-1-1 Fujimigaoka Nirasaki Yamanashi Japan  
Phone 81-551-22-1211 Fax 81-551-22-6645  
Tokyo Office 4-40-14 Nishishinjuku Shinjuku-ku Tokyo Japan  
Phone 81-3-3377-5444 Fax 81-3-3374-2865  
Osaka Office Phone 81-6-6998-4888 Fax 81-6-6998-4899

River Electronics(Singapore)Pte.Ltd Phone 65-6258-7874 Fax 65-6258-7366  
Taiwan River Co.,Ltd. Phone 886-2-8988-2811 Fax 886-2-2983-4785  
Xi'an River Electronics Corporation Phone 86-29-88697274 Fax 86-29-88635134