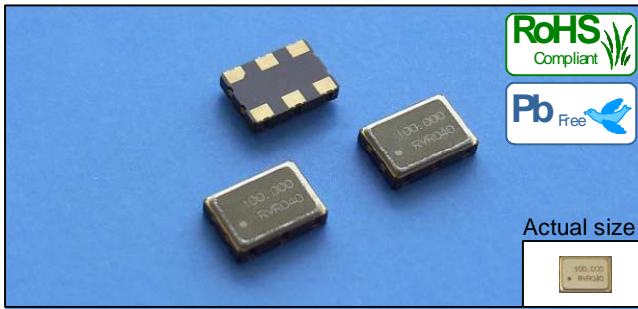


# SURFACE MOUNT CRYSTAL CLOCK OSCILLATOR FCXO-75LV



## Features

- Low Jitter(non-PLL)
- Ceramic package and metal lid assures extreme accuracy and high reliability.
- Lead-free soldering is available.
- Applications: 1/10 Gigabit Ethernet, 2/4/10G Fibre Channel, SAS, SONET/SDH linecards, Server & Storage platforms, PON devices, HD Video Systems

## Specifications

Item	Symbol	Specifications			
		Min.	Typ.	Max.	Note
Frequency	F0	50MHz		162 MHz	As specified
Frequency Stability	FT	±20ppm		±50 ppm	See ※1 below
Storage temperature range		-55°C		+125°C	
Operating temperature range	TR	-20°C		+70°C	Commercial(standard)
		-40°C		+85°C	Industrial(standard)
Supply voltage	Vcc	2.97V	3.30V	3.63V	or 2.5V±10%
Current consumption	Icc/OE		35mA	47mA	
Disable current	Icc/OD			0.03mA	
Logic type	LT	LVDS			
Output voltage "0"level	VoL	0.90V	1.10V		
Output voltage "1"level	VoH		1.43V	1.60V	
Output Amplitude Differential		500mV		900mV	
Output load		See Test Circuit			output requires termination
Symmetry	SYM	45%		55%	Mesured 50% of waveform
Rise time / Fall time	Tr/Tf		500ps	850ps	Mesured 20/80% of waveform
Phase jitter	RMS(1-σ)		0.5ps	1.0ps	Offset frequency: 12kHz to 20MHz

※1 Stability includes all combinations of operating temperature ,load changes , rated input (supply) voltage changes,initial calibration tolerance(25°C),aging(5 years at 40°C average effective ambient temperature),shock and vibration.

### Output Enable /Disable Function

Item	Min.	Typ.	Max.	Note
Input Voltage(OE pin),Output Enable	0.7V			or open
Input Voltage(OE pin),Output Disable			0.3V	Outputs disabled to Hi-Z
Output Disabel Delay			200ns	
Output Enabel Delay			10ms	

- Bypass capacitor should be connected between V<sub>DD</sub> and GND due to the stabilized operation for the crystal oscillator.
- Please consult us for customized specifications.
- All specifications and markings subjected to change without notice.

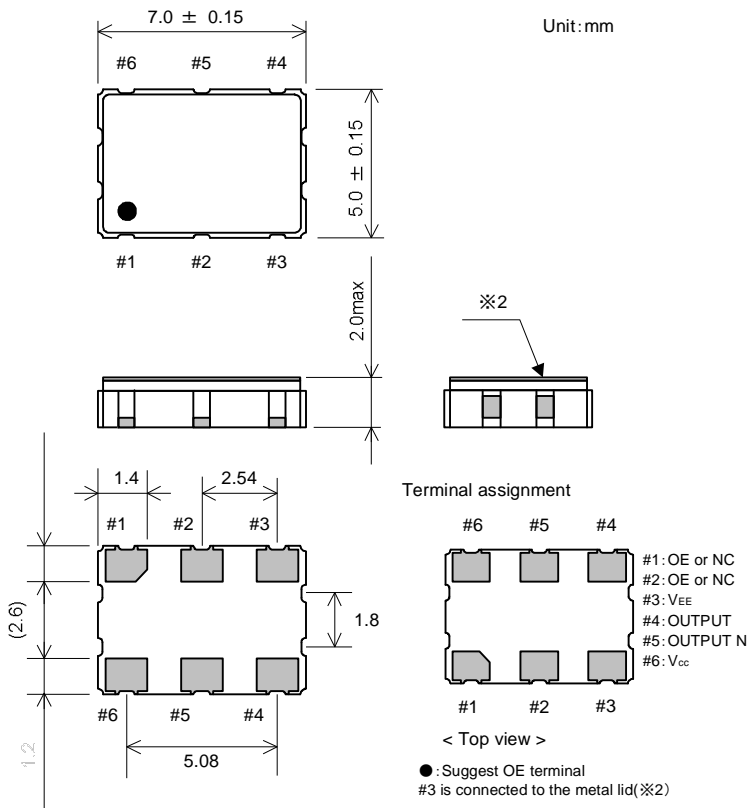
**RIVER** RIVER ELETec CORPORATION  
URL <http://www.river-ele.co.jp>

Head Office 2-1-1 Fujimigaoka Nirasaki Yamanashi Japan  
Phone 81-551-22-1211 Fax 81-551-22-6645  
Tokyo Office 4-40-14 Nishishinjuku Shinjuku-ku Tokyo Japan  
Phone 81-3-3377-5444 Fax 81-3-3374-2865  
Osaka Office Phone 81-6-6998-4888 Fax 81-6-6998-4899

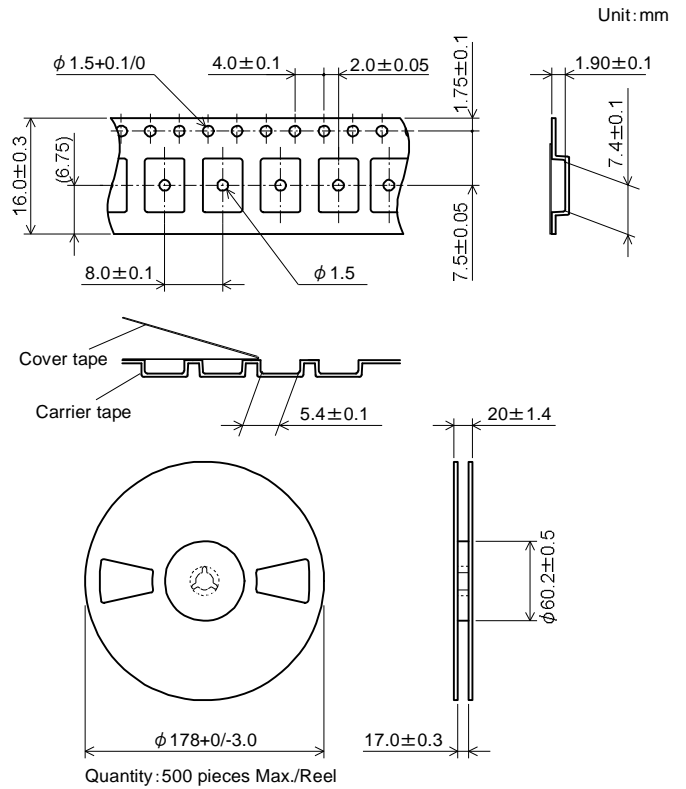
River Electronics(Singapore)Pte.Ltd Phone 65-6258-7874 Fax 65-6258-7366  
Taiwan River Co.,Ltd. Phone 886-2-8988-2811 Fax 886-2-2983-4785  
Xi'an River Electronics Corporation Phone 86-29-88697274 Fax 86-29-88635134

# FCXO-75LV

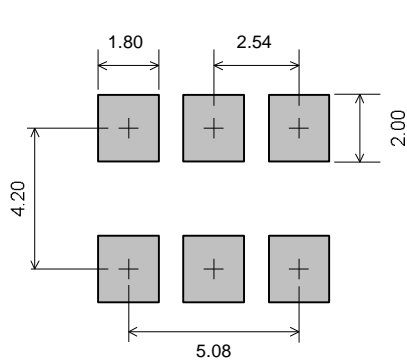
## Dimensions



## Taping



## Land dimensions



## Test Circuit

