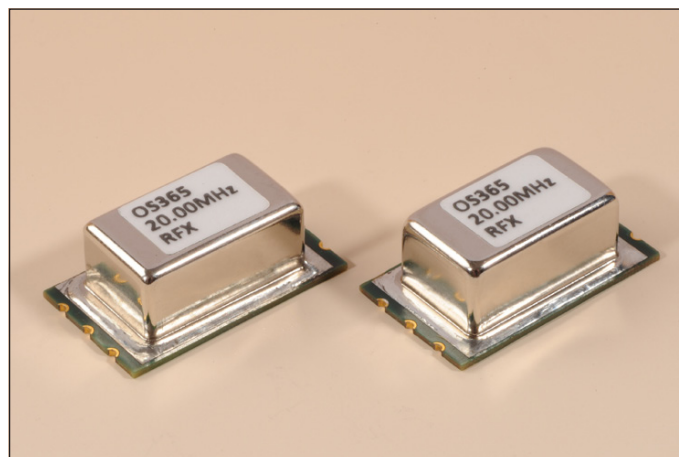


OCXO OS365 - 9 - smd

- μ C programmable trim, ± 0.02 ppm stability, excellent phase noise, low ageing, fast warm up.
- A miniature high quality smd OCXO combining minimum volume with exceptional performance from a precision SC cut resonator.
- Manufactured to standard and custom frequencies 10MHz to 120MHz.



Standard options:

frequency range:	_____ (10 ~ 120)MHz _____		
accuracy codes:	(A)		(B)
temperature tolerance	± 0.02 ppm		± 0.05 ppm
temperature range	(-20 +60) $^{\circ}$ C		(-40 +70) $^{\circ}$ C
output codes:	_____ (L) _____		
output	CMOS 15pF, 45% ~ 55% <2ns max. rise and fall		
supply voltage codes:	(V1)	(V2)	(V3)
supply voltage	+3.3Vd.c.	+5.0Vd.c.	+12.0Vd.c.

Generic specification:

stability:			
against supply voltage change		± 0.002 ppm max. for $V_{cc} \pm 5\%$	
against load change		± 0.002 ppm max. for load $\pm 10\%$	
ageing short term		± 0.0002 ppm max. per day	
		after 30 days continuous operation	
ageing long term		± 0.05 ppm max. first year	
		after 30 days continuous operation	
μ C programmable trim		± 1 ppm typical	
power supplies:			
supply voltage V_{cc}	+3.3Vd.c.	+5.0Vd.c.	+12.0Vd.c.
start up current at min. temp. range	850mA	550mA max.	270mA
quiescent current at max. temp. range	350mA	220mA max.	110mA
warm up time	2 minutes max. to within 0.1ppm of nominal		
insulation resistance	500Meg Ω min., 100Vd.c.		
phase noise:			
single sideband, 1Hz bandwidth		-110dBc/Hz, $f_o + 10$ Hz	
		-145dBc/Hz, $f_o + 100$ Hz	
		-160dBc/Hz, $f_o + 1$ kHz	
temperature:			
operating range	(-20 +60) $^{\circ}$ C		(-40 +70) $^{\circ}$ C
storage range	(-40 +125) $^{\circ}$ C		(-40 +125) $^{\circ}$ C

Environmental conditions:

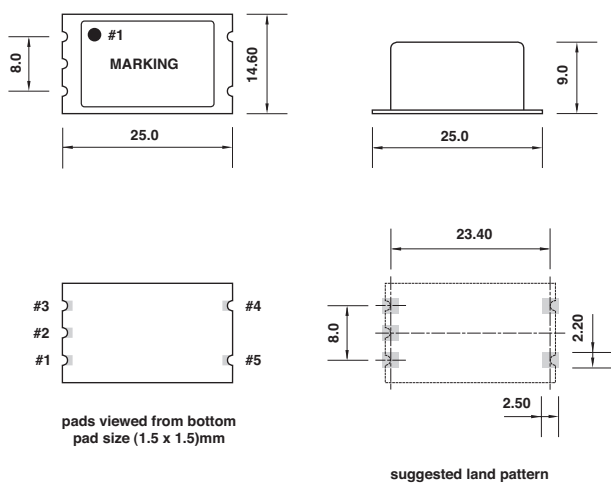
- mechanical shock:** MIL standard 202F, method 213, condition J
- thermal shock:** MIL standard 202F, method 107, condition A
- vibration:** MIL standard 202F, method 204, condition B
- solderability:** 5 seconds max. at +230°C, 3 seconds max. at +350°C

Marking: part number and frequency on high temperature metalised polyester label

standard specification: **OS365-9-smd A L V1 - 10.00M**
OS365-9-smd = series generic code
A temp. tol. and temp. range code: **A = ±0.02ppm(-20 +60)°C**
L output code: **L = CMOS output, 15pF, 45% ~ 55%**
V1 supply voltage code: **V1 = +3.3Vd.c. supply**
10.00M output frequency: **10.00M = 10.000MHz**

Custom specification: part number issued with custom specification and drawing

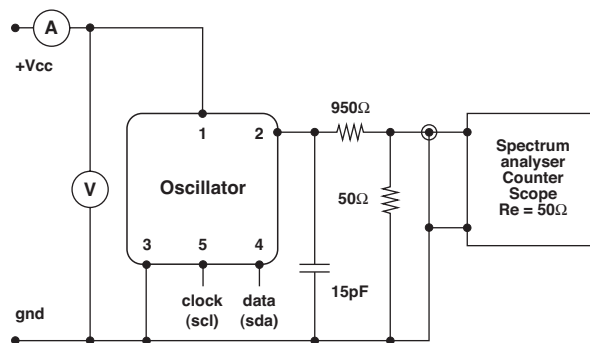
Dimensions(mm):



Pin connections:

- # 1 +V_{cc}
- # 2 output
- # 3 ground/case
- # 4 data(sda)
- # 5 clock(scl)

Test circuit, CMOS load:



test circuit includes a 20:1 step down into a matched 50Ω load