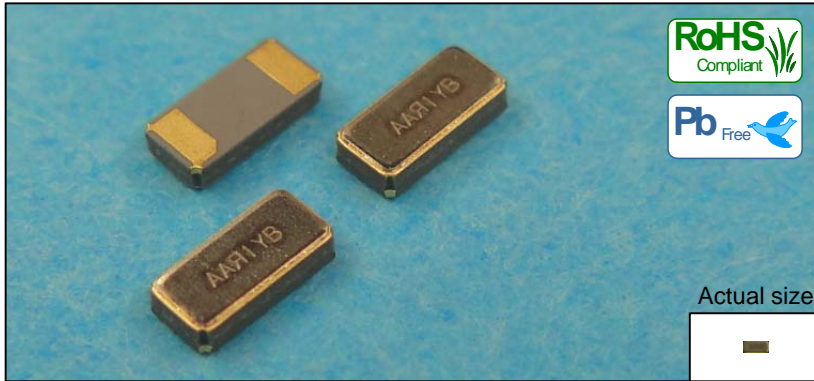


SURFACE MOUNT CRYSTAL TFX-02S

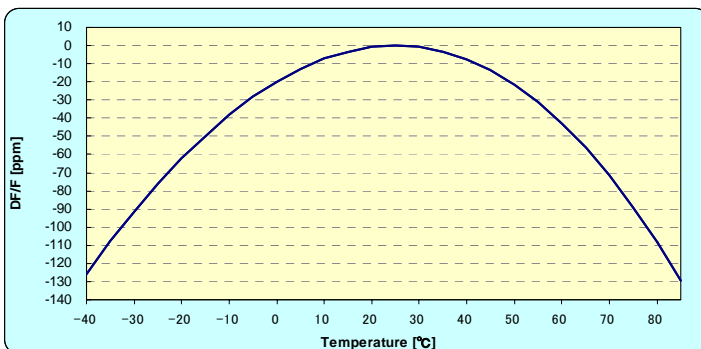


Actual size

Specifications

Item	Standard specifications
Nominal frequency(kHz)	32.768
Frequency tolerance(ppm) (at 25°C)	±20, ±30, ±50
Storage temperature range(°C)	-55 to +125
Operating temperature range(°C)	-40 to +85
Turnover temperature(°C)	25±5
Parabolic coefficient(/°C ²)	$-(0.03 \pm 0.01) \times 10^{-6}$
Motional resistance(ESR)(kΩ)	70 Max.
Motional capacitance(fF)	6.5(Typ.)
Level of drive(μW)	0.5 Max.
Load capacitance(pF)	7.0, 9.0, 12.5

An example of frequency vs temperature characteristic



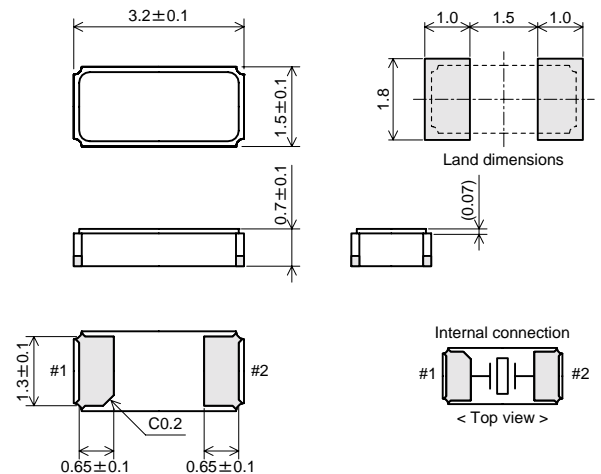
- Please consult us for customized specifications.
- All specifications and markings subjected to change without notice.

Features

- Compact design
(3.2mm×1.5mm×0.8mm Max., Weight: 10.6mg).
- High reliability is secured with a ceramic package and a metal lid.
- Lead-free soldering is available.
- Applications: Laptop PC, DSC, DVC, Mobile phone

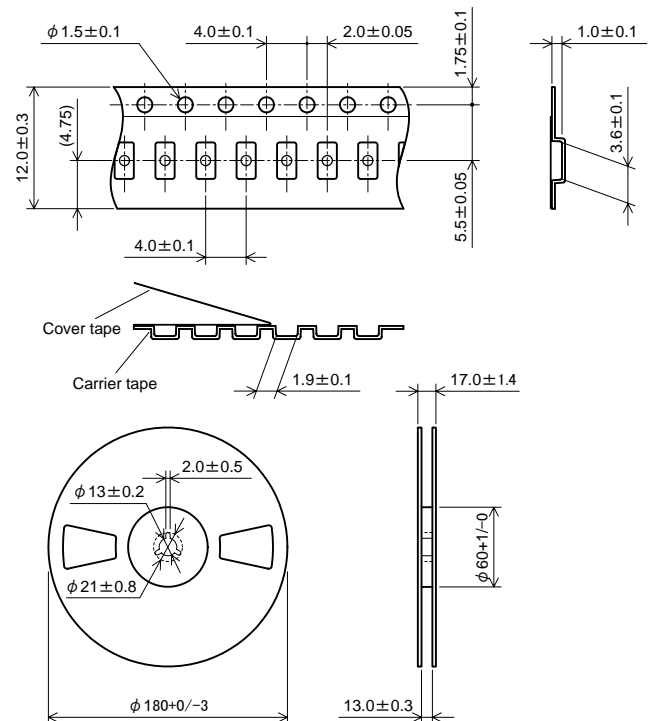
Dimensions

Unit: mm



Taping

Unit: mm



Quantity: 3000 pieces Max./Reel

RIVER RIVER ELETec CORPORATION
URL <http://www.river-ele.co.jp>

Head Office 2-1-1 Fujimigaoka Nirasaki Yamanashi Japan
Phone 81-551-22-1211 Fax 81-551-22-6645
Tokyo Office 4-40-14 Nishishinjuku Shinjuku-ku Tokyo Japan
Phone 81-3-3377-5444 Fax 81-3-3374-2865
Osaka Office Phone 81-6-6998-4888 Fax 81-6-6998-4899

River Electronics(Singapore)Pte.Ltd Phone 65-6258-7874 Fax 65-6258-7366
Taiwan River Co.,Ltd. Phone 886-2-8988-2811 Fax 886-2-2983-4785
Xi'an River Electronics Corporation Phone 86-29-88697274 Fax 86-29-88635134