

standard frequency	10.000MHz
center frequency	10.000MHz
adjust frequency	±20KHz@25°C
cut mode	AT
resonator resistance	<15Ω
shunt capacitance	<7pF
working temperature	0°C ~ +70°C
store temperature	-40°C ~ +105°C
diameter	<13.7mm
crystal shapes	plano plano
curvature	~
surface finish	2um

side A electrodes materials *Ti/Au/Ti ,the second layer Ti could only be coated in the center round shape*

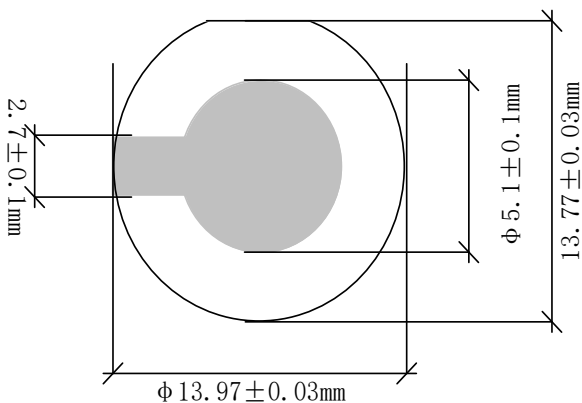
side A electrodes sizes *please refer to drawing below*
side B electrodes size *please refer to drawing below*

side B electrodes materials *Ti/Au/Ti, the second layer Ti could only be coated in the center round shape*

electrodes connective *no*

outside shapes and electrodes size drawings:

side A



side B

