

**XR smd tight tolerance
sub-miniature crystal
(9.60 ~ 125)MHz**

- (6.0 x 3.5)mm, height 1.0mm ceramic metal package
- 16mm tape and reel
- 1000/ 2000/ 3000/ 5000 pieces per reel
- RoHS compliant

Electrical specification

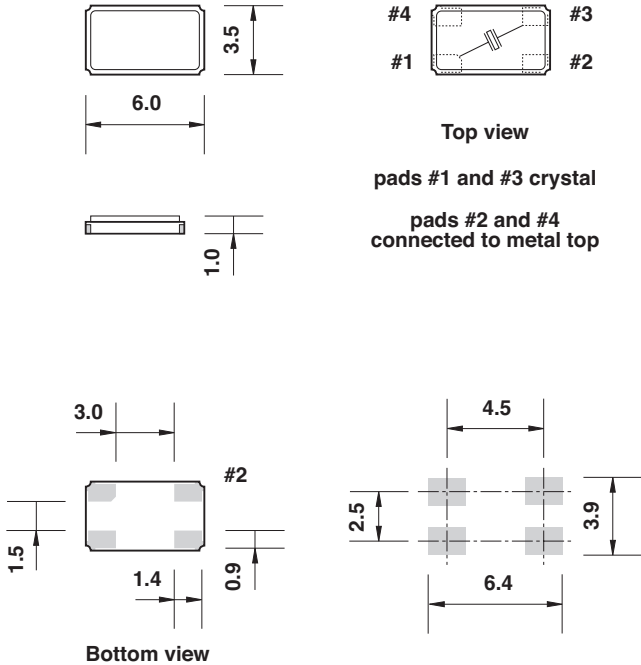
case style	XR: (6 x 3.5)mm, height 1.0mm
frequency range	(9.60 ~ 125)MHz
standard frequencies	16.00MHz, 19.50MHz, 20.00MHz, 24.00MHz, 26.00MHz
adjustment tolerance	from ± 5 ppm at +25°C, frequency dependent
temperature tolerance	from ± 5 ppm, frequency and temperature range dependent
operating temperature	(-10 +60)°C ~ (-40 +85)°C
storage temperature	(-55 +125)°C
load	customer specified
shunt capacitance C_0	7.0pF max.
drive level	10 μ W ~ 100 μ W
Q factor	80,000 typical
ageing	± 3 ppm first year max.
insulation resistance	500Meg. ohm min. at +100Vd.c.

Ordering information

EXAMPLE	XR crystal, 16.00MHz, load 20pF, ± 10 ppm at +25°C, ± 10 ppm(-10 +60)°C
TFC PART NUMBER	XR 16.00M H B B I
XR	crystal series: XR
16.00M	frequency: 16.00M = 16.00MHz, frequency range from (9.60 ~ 125)MHz
H	load capacitance: H = 20pF
B	adjustment tolerance at +25°C: C = ± 10 ppm
B	temperature tolerance: B = ± 10 ppm
I	temperature range: I = (-10 +60)°C
OPTIONS	
load capacitance	A: 8pF, B: 9pF, C: 10pF, D: 12pF, E: 15pF, F: 16pF, G: 18pF, H: 20pF, J: 32pF, S: series
adjustment tolerance	A: ± 5 ppm, B: ± 10 ppm, P: ± 15 ppm, C: ± 20 ppm, E: ± 30 ppm, G: ± 50 ppm
temperature tolerance	A: ± 5 ppm, B: ± 10 ppm, P: ± 15 ppm, C: ± 20 ppm, E: ± 30 ppm, G: ± 50 ppm, H: ± 100 ppm
temperature range	B: (0 +55)°C, I: (-10 +60)°C, C: (-20 +70)°C, L: (-40 +85)°C

XR sub miniature crystal

XR dimensions(mm)



ESR - equivalent series resistance

frequency range(MHz)	cut/mode	esr(Ω)
9.6 ~ 12	AT1	<80
12 ~ 13	AT1	<60
13 ~ 19	AT1	<60
19 ~ 20	AT1	<40
20 ~ 30	AT1	<40
30 ~ 49	AT1	<40
30 ~ 40	AT3	<100
40 ~ 50	AT3	<80
50 ~ 125	AT3	<40